



Data sheet, pneumatic actuator APBD / APBS - 400

Table of dimensions

Actuator type	B	C	E	H	G	I	J	K	L	Mxdepth	R	S
APBD/APBS-400	130	-	480	30	518	165	254	M20x25	M16x 25	55x60	930	-

Torque-table double-acting, type APBD (Nm)

Actuator type	Control pressure Pst (bar)											
	2	2,5	3	3,5	4	4,5	5	5,5	6	7	8	
APBD - 400	3256	4069	4883	5698	6511	7325	8139	8953	9767	7997	9139	

Torque-table single-acting, type APBS (Nm)

Actuator type	No. springs	Md min	Md max	Pneumatic applied torque Md (Nm) at minimum control pressure Pst (bar)																					
				Md F (Nm)		2,5		3		3,5		4		4,5		5		5,5		6		7		8	
				min	max	min	max	min	max	min	max	min	max	min	max	min	max	min	max	min	max	min	max		
APBS - 400	7	1837	2880	1190	2233	2004	3047																		
	8	2100	3292	778	1970	1592	2784	2406	3598																
	9	2362	3703			1181	2522	1995	3336	2809	4150														
	10	2624	4115					1583	3074	2397	3888	3211	4702												
	11	2887	4526							1986	3625	2800	4439	3614	5253										
	12	3149	4938									2388	4177	3202	4991	4016	5805								
	13	3412	5349											2791	4728	3605	5542	4419	6356						
	14	3674	5761													3193	5280	4007	6094	5635	7722				
	15	3937	6584														3596	5831	5224	7459	6852	9087			
	16	4199	6584																4812	7197	6440	8825			

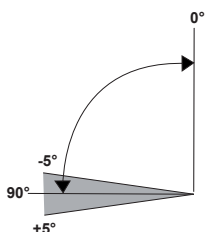
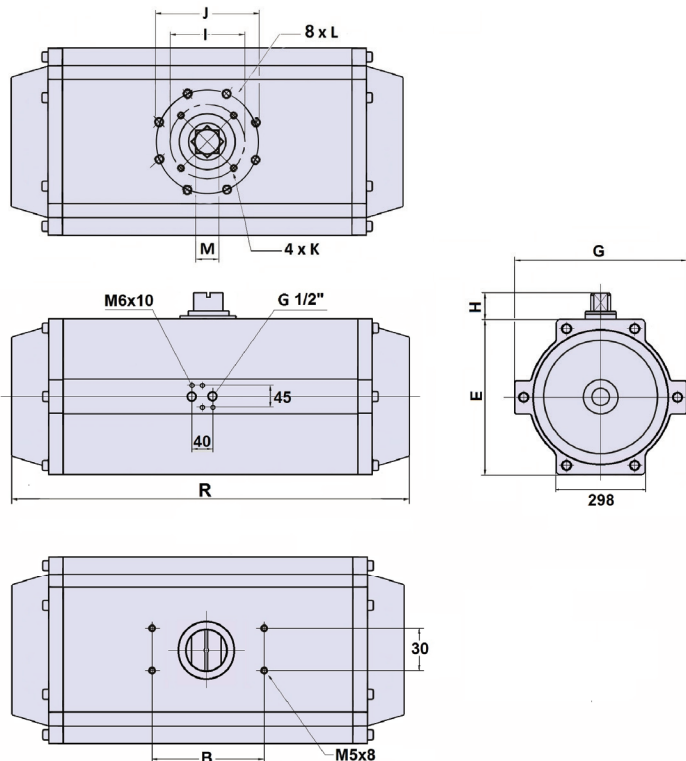
Weight, air consumption, switch times: Double-acting, type APBD, single-acting, type APBS

Actuator type	Weight (kg)	Volume (l)	Switch time (sek.)	Ambient temperature	
				Standard	High-temp.
APBD - 400	289	89	60	-35 bis +80°C	-15° bis +150°C
APBS - 400	361	53	51		

\*Quoted switch times are guidelines for a double-stroke at 5 bar control pressure and at 50% rated loading.  
 With high valve actuating speeds potentially dangerous large braking forces can arise in the actuator end positions.  
 Tip: Throttle the exhaust air or select a larger actuator.

Ordering code

**APBD - 400 / 090 - V55 - H**  
**APBS - 400 / 090 - 06\* - V55 - H**  
 \* The number of springs ( 4 up to 12 pcs. ) must be matched to the control pressure beforehand.



**End position adjustment**  
 The pivoting angle can be adjusted in both end positions with the adjustment screws in a pressure free condition by between +5° and -5°. The locknuts ensure that the new position is secured.