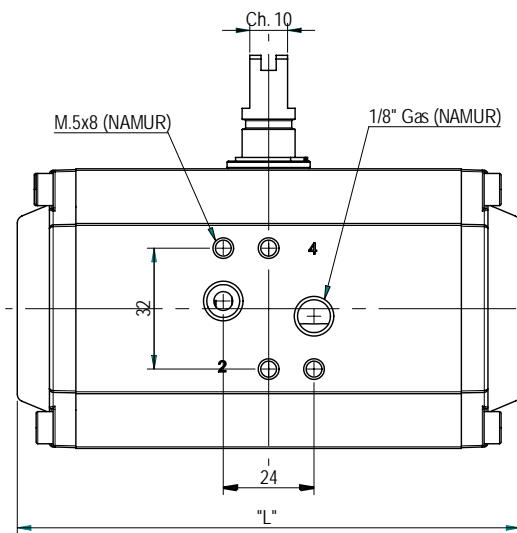
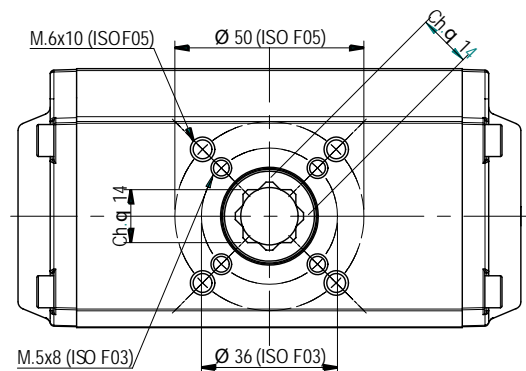
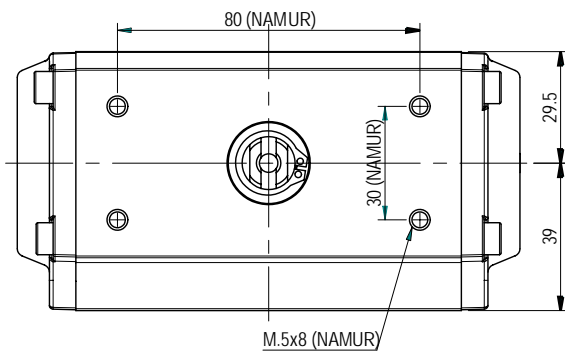
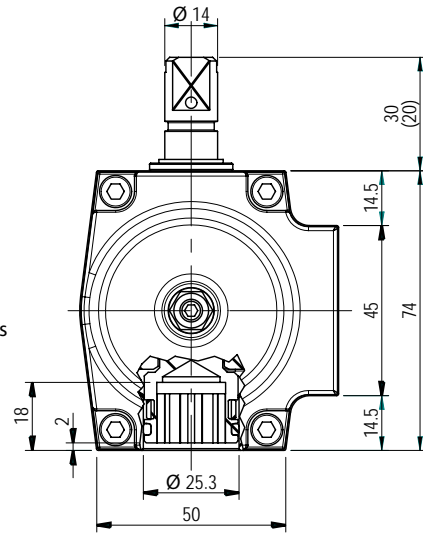


Pneumatische actuator met enkelzijdige slaginstelling
Pneumatic actuator with single limit stop

GTK.52



Luchtaansluiting volgens NAMUR
NAMUR standard ports



| LENGTE [mm] LENGHT [mm] | | | LUCHTVERBRUIK [N.lt] AIR CONSUMPTION [N.lt] | | | | GEWICHT (2) [kg] WEIGHT (2) [kg] | | | |
|----------------------------|------|------|--|------|------|---------|-------------------------------------|------|------|---------|
| 90° | 120° | 180° | 90° | 120° | 180° | 90° (1) | 90° | 120° | 180° | 90° (1) |
| 133 | 151 | 195 | 0,25 | 0,28 | 0,46 | 0,13 | 0,9 | 1,1 | 1,3 | 1,0 |

- (1) Enkelwerkende actuator met 8 veren
Spring return whit 8 spring cartridges
(2) Gewichten zijn aangeven voor een actuator met een ashoogte van 30mm
Weights referred to protrusion shafts 30mm

DRAAIMOMENT [Nm] - DUBBELWERKENDE ACTUATORS / TORQUE [Nm] - DOUBLE ACTING ACTUATORS

| Pneumatisch Draaimoment [Nm] / Pneumatic torque [Nm] | | | | | | | | | | | | | |
|--|---------|-------|---------|-------|---------|-------|---------|-------|---------|-------|-------|-------|--------|
| 2 bar | 2,5 bar | 3 bar | 3,5 bar | 4 bar | 4,5 bar | 5 bar | 5,6 bar | 6 bar | 6,5 bar | 7 bar | 8 bar | 9 bar | 10 bar |
| 7,8 | 9,7 | 11,7 | 13,6 | 15,6 | 17,5 | 19,5 | 21,8 | 23,4 | 25,3 | 27,3 | 31,2 | 35,1 | 39,0 |

DRAAIMOMENT [Nm] - ENKELWERKENDE ACTUATORS / TORQUE [Nm] - SINGLE ACTING ACTUATORS

| Veren Springs | Veermoment Spring torque | | Pneumatisch Draaimoment Pneumatic torque | | | | | | | | | | | | | | | | | | | | | | | | | |
|------------------|-----------------------------|-------|---|------|-------|-------|-------|-------|-------|-------|-------|-------|-------|-------|-------|-------|-------|-------|--------------------|-------|-------------------|-------|-------|-----|-------|-----|--------|--|
| | Spring torque | | 2 bar | | | | 3 bar | | | | 4 bar | | | | 5 bar | | | | 80 PSIG 5,6 bar | | 100 PSIG 7 bar | | 8 bar | | 9 bar | | 10 bar | |
| | 0° | 90° | 0° | 90° | 0° | 90° | 0° | 90° | 0° | 90° | 0° | 90° | 0° | 90° | 0° | 90° | 0° | 90° | 0° | 90° | 0° | 90° | 0° | 90° | 0° | 90° | | |
| 1 | 0,96 | 1,59 | 6,82 | 6,17 | 10,72 | 10,07 | 14,61 | 13,96 | 18,51 | 17,86 | 20,85 | 20,20 | 22,41 | 21,76 | 26,30 | 25,65 | 30,20 | 29,55 | 34,10 | 33,45 | 37,99 | 37,34 | | | | | | |
| 2 | 1,91 | 3,19 | 5,84 | 4,54 | 9,74 | 8,44 | 13,64 | 12,34 | 17,54 | 16,23 | 19,87 | 18,57 | 21,43 | 20,13 | 25,33 | 24,03 | 29,23 | 27,92 | 33,12 | 31,82 | 37,02 | 35,72 | | | | | | |
| 3 | 2,87 | 4,78 | 4,87 | 2,92 | 8,77 | 6,81 | 12,66 | 10,71 | 16,56 | 14,61 | 18,90 | 16,95 | 20,46 | 18,50 | 24,35 | 22,40 | 28,25 | 26,30 | 32,15 | 30,20 | 36,05 | 34,09 | | | | | | |
| 4 | 3,82 | 6,37 | 3,90 | 1,29 | 7,79 | 5,19 | 11,69 | 9,09 | 15,59 | 12,98 | 17,92 | 15,32 | 19,48 | 16,88 | 23,38 | 20,78 | 28,28 | 24,67 | 31,17 | 28,57 | 35,07 | 32,47 | | | | | | |
| 5 | 4,78 | 7,97 | | | 6,82 | 3,56 | 10,72 | 7,46 | 14,61 | 11,36 | 16,95 | 13,69 | 18,51 | 15,25 | 22,41 | 19,15 | 26,30 | 23,05 | 30,20 | 26,94 | 34,10 | 30,84 | | | | | | |
| 6 | 5,73 | 9,56 | | | 5,84 | 1,94 | 9,74 | 5,83 | 13,64 | 9,73 | 15,98 | 12,07 | 17,53 | 13,63 | 21,43 | 17,52 | 25,33 | 21,42 | 29,23 | 25,32 | 33,12 | 29,22 | | | | | | |
| 7 | 6,69 | 11,16 | | | | | 8,77 | 4,21 | 12,66 | 8,11 | 15,00 | 10,44 | 16,56 | 12,00 | 20,46 | 15,90 | 24,35 | 19,80 | 28,25 | 23,69 | 32,15 | 27,59 | | | | | | |
| 8 | 7,64 | 12,75 | | | | | 7,79 | 2,58 | 11,69 | 6,48 | 14,03 | 8,82 | 15,59 | 10,38 | 19,48 | 14,27 | 23,38 | 18,17 | 27,28 | 22,07 | 31,17 | 25,96 | | | | | | |
| 9 | 8,60 | 14,34 | | | | | 6,82 | 0,96 | 10,72 | 4,85 | 13,05 | 7,19 | 14,61 | 8,75 | 18,51 | 12,65 | 22,41 | 16,55 | 26,30 | 20,44 | 30,20 | 24,34 | | | | | | |
| 10 | 9,55 | 15,94 | | | | | | | 9,74 | 3,23 | 12,08 | 5,57 | 13,64 | 7,13 | 17,53 | 11,02 | 21,43 | 14,92 | 25,33 | 18,82 | 29,22 | 22,71 | | | | | | |
| 11 | 10,51 | 17,53 | | | | | | | 8,77 | 1,60 | 11,10 | 3,94 | 12,66 | 5,50 | 16,56 | 9,40 | 20,46 | 13,29 | 24,35 | 17,19 | 28,25 | 21,09 | | | | | | |
| 12 | 11,46 | 19,12 | | | | | | | 7,79 | -0,02 | 10,13 | 2,32 | 11,69 | 3,88 | 15,59 | 7,77 | 19,48 | 11,67 | 23,38 | 15,57 | 27,28 | 19,46 | | | | | | |