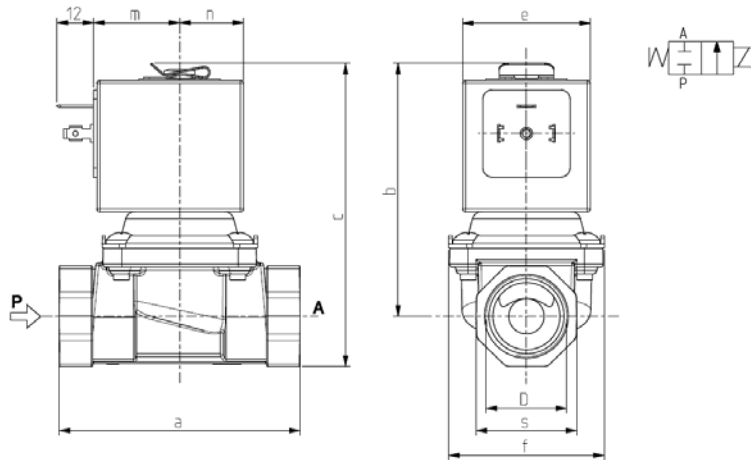




SOLENOID VALVE
2/2 - NC (Normally closed)
Direct acting
G3/4

L113B26



D	a	b	c	e	f	m	n	s
G3/4	79	82	98,5	42	51	28	21	33

► **GENERAL FEATURES**

Direct acting solenoid valve with full orifice, for low pressure.
 Suitable to shut off liquid and gaseous fluids (verify the compatibility of fluid with materials in contact).

► **TECHNICAL FEATURES**

Maximum allowable pressure (PS) 2 bar
 Opening time ~30ms
 Closing time ~30ms
 Fluid temperature -10°C +90°C
 Max viscosity 5°E (~37 cStokes or mm²/s)

► **MATERIALS IN CONTACT WITH FLUID**

Body Brass
 Sealing NBR
 Internal components Stainless steel and brass
 Seat Brass
 Core tube Stainless steel
 Shading coil Copper

► **COIL**

Continuous duty ED 50%
 Encapsulation material PET (polyethylene-terephthalate) fiberglass reinforced
 Insulation class F (140°C)
 Ambient temperature -10°C +60°C
 Electric connections DIN 46340 - 3 poles connectors (EN175301-803)
 Protection degree IP 65 (EN 60529) with plug connector
 Voltages DC 24V (+30% -30%)

Port size ISO 228	Orifice size (mm)	Differential pressure (bar)				Kv (m ³ /h)	Series and type		Power absorption			Sealings	Function Notes	Weight (kg)	
		Δp min	Δp max				Valve	Coil	AC (VA)		DC (W)				
			Gases		Liquids				Inrush	Holding					
			AC	DC	AC										DC
G 3/4	19	0	-	0,15	-	0,15	3,3	L113B26	Z130G	-	-	22	NBR	-	0,710

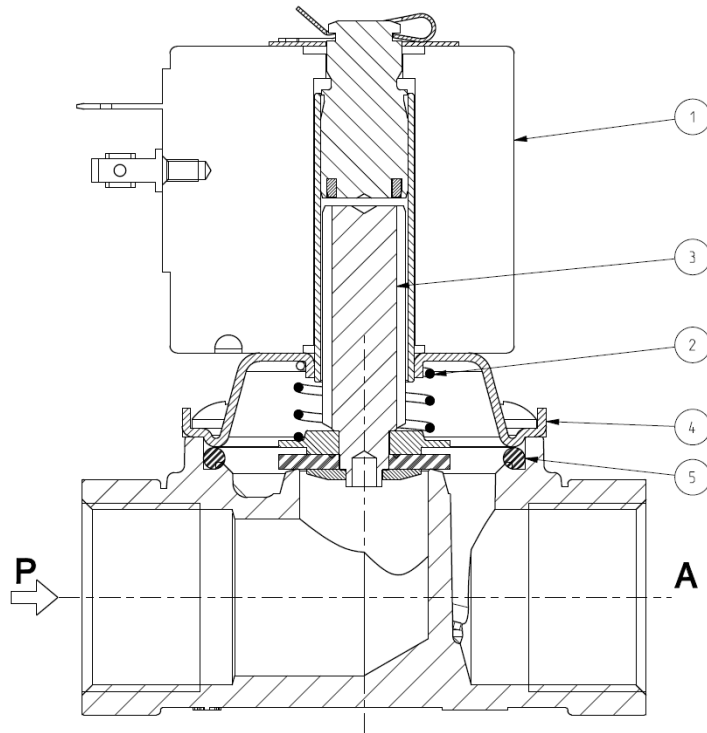
► **NOTES**

- Sealings : NBR = Nitrile-butylene elastomer

0509/0702

L113B26

► SPARE PARTS



Kit description	Kit P.N.	Consisting of:
Core kit	G3135201	Core pos.3 Core return spring pos.2 O-Ring guide assembly pos. 5
Guide pipe assembly	3077701R	Guide pipe assembly pos. 4
Coil	Z130G	Coil pos. 1

► INSTALLATION

Solenoid valve can be mounted in any position; vertical with coil upwards preferred.

THE VALIDITY OF REPORTED DATA IS REFERRED TO THE DATE OF ISSUE. POSSIBLE UPDATES ARE AVAILABLE ON REQUEST.