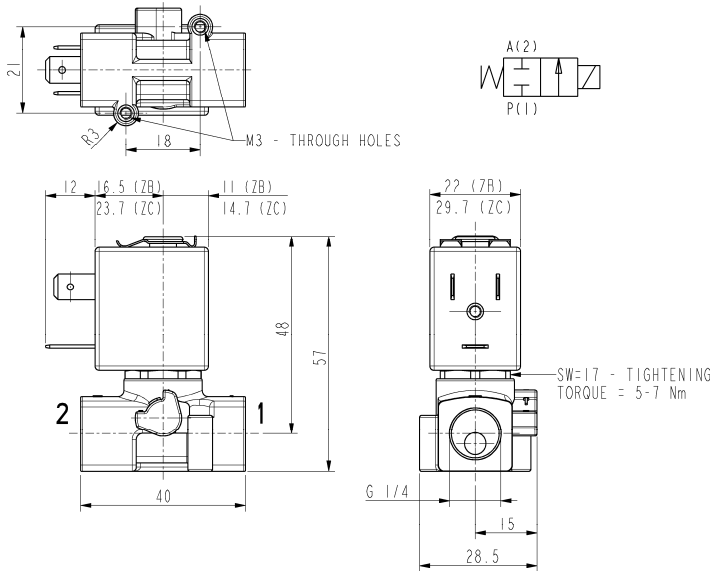




**SOLENOID VALVE**  
**2/2- NC (Normally closed)**  
 Direct acting  
**G 1/4**

**L176**



► **GENERAL FEATURES**

Direct acting solenoid valve.  
 Suitable to shut off liquid and gaseous fluids (verify the compatibility of fluid with material in contact).

► **TECHNICAL FEATURES**

Maximum allowable pressure (PS) 50bar  
 Opening time ~10ms  
 Closing time ~10ms  
 Fluid temperature -10°C +130°C  
 Max viscosity 5°E (~37 cStokes or mm<sup>2</sup>/s)

► **MATERIALS IN CONTACT WITH FLUID**

Body Brass  
 Sealing FPM  
 Internal components Stainless steel  
 Seat Brass  
 Core tube Stainless steel  
 Shading coil Copper

► **COIL**

According to standards  
 Encapsulation material

Insulation class  
 Ambient temperature  
 Continuous duty  
 Electric connection

Protection degree

Voltages DC  
 AC

ZB10A ZC10A	ZB12A ZC12A	ZB14A ZC14A
/	▲ UL and CSA	▲ UL and CSA
PA fiberglass reinforced	PET fiberglass reinforced	PET fiberglass reinforced
F (155°C) -10°C +60°C	F (155°C) -10°C +60°C	H (180°C) -10°C +75°C
ED 100%		
DIN 46340-3 poles plug connector (EN175301-803 for ZC)		
IP 65 (EN 60529) with plug connector	IP 67 (EN 60529) with plug connector	IP 67 (EN 60529) with plug connector
12-24V (+10% -5%)		
24V/50-60Hz - 115V/50Hz - 230V/50-60Hz (+10% -15%)		

(Other voltages and frequencies on request).

▲ : approval valid for ZB12A – ZB14A only

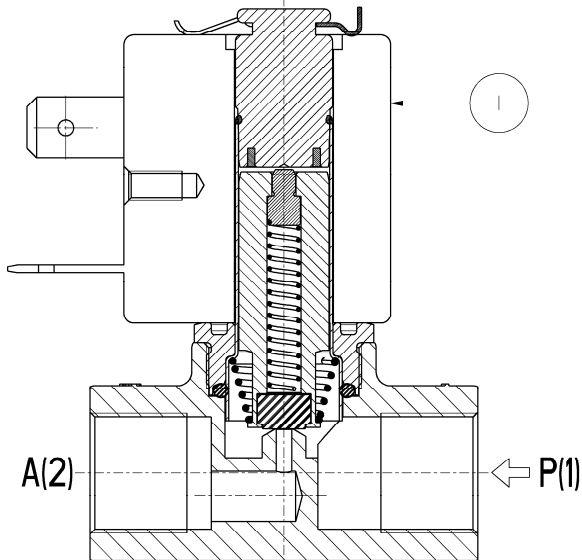
Port size ISO 228	Orifice size (mm)	Dp min	Differential pressure (bar)				Kv (m <sup>3</sup> /h)	Series and type		Power absorption				Sealings	Notes	Weight (kg)
			Dp max					Valve	Coil	AC (VA)			DC			
			Gases		Liquids					Inrush	Holding					
G1/4	1,6	0	20	12	20	12	0,08	L176V03	ZB10A ZB12A	12	6	4	5,5	FPM	1 - 2	0,160
	2,4		12	4	12	4	0,16									
	1,6		20	15	20	15	0,08									
	2,4		15	8	15	8	0,16									
	4		5	2	5	2	0,33									
	5		3	1	3	1	0,45									
								ZC10A ZC12A	10	6	3,5	5,5		2 - 3	0,210	
														2 - 4		

► **NOTES**

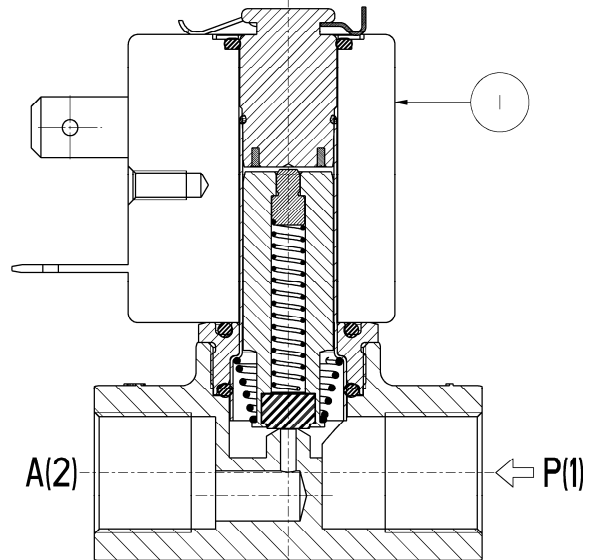
- Sealings: FPM = Fluoro-carbon elastomer
- On request: - body valve in stainless steel AISI 316L: L176V07  
 - coil in class H (ZB14A – ZC14A see § "COIL")
- 1 - On request version with manual override: L176V01
- 2 - ZB12A - ZB14A – ZC12A and ZC14A coils fitted with sealing gaskets underneath and on the upper part (see sectional view on the back)
- 3 - The Δp max value is valid only for 50Hz; for operation at 60Hz, Δp max is 3,5 bar.
- 4 - The Δp max value is valid only for 50Hz; for operation at 60Hz, Δp max is 2 bar.

► SPARE PARTS

WITH ZB10A – ZC10A COIL



WITH ZB12A – ZC12A -ZB14A – ZC14A COIL



Kit description

Coil

Kit P.N.

ZB10A  
ZB12A  
ZB14A  
ZC10A  
ZC12A  
ZC14A

Consisting of:

Coil pos.1

► INSTALLATION

- Solenoid valve can be mounted in any position; vertical with coil upwards preferred.

THE VALIDITY OF REPORTED DATA IS REFERRED TO THE DATE OF ISSUE. POSSIBLE UPDATES ARE AVAILABLE ON REQUEST