



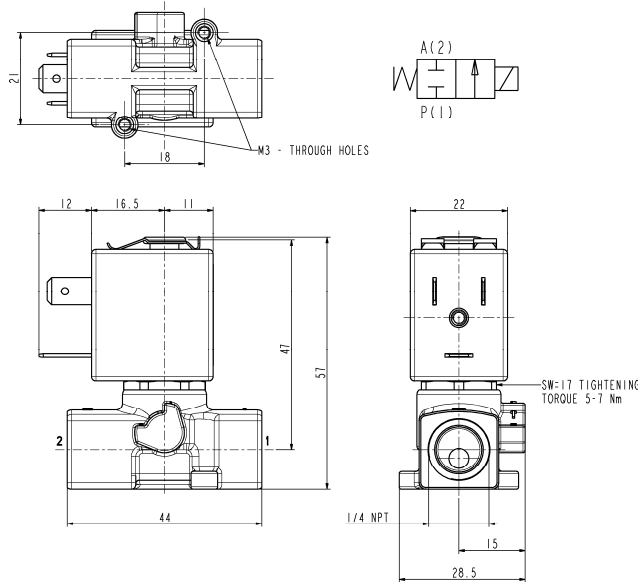
# SOLENOID VALVE

## 2/2- NC (Normally closed)

### Direct acting

### 1/4 NPT

# L176-NPT



#### ► GENERAL FEATURES

Direct acting solenoid valve.  
Suitable to shut off liquid and gaseous fluids (verify the compatibility of fluid with material in contact).

#### ► TECHNICAL FEATURES

Maximum allowable pressure (PS) 50bar  
Opening time ~10ms  
Closing time ~10ms  
Fluid temperature -10°C +140°C  
Max viscosity 5°E (~37 cStokes or mm<sup>2</sup>/s)

#### ► MATERIALS IN CONTACT WITH FLUID

Body Stainless steel AISI 316  
Sealing EPDM  
Internal components Stainless steel  
Seat Stainless steel AISI 316  
Core tube Stainless steel  
Shading coil Pure silver

#### ► COIL

According to standards

Encapsulation material

Insulation class

Ambient temperature

Continuous duty

Electric connection

Protection degree

Voltages DC

AC

ZB12A	ZB14A
UL and CSA	
PET (polyethylene-terephthalate) fiberglass reinforced	
F (155°C)	H (180°C)
-10°C +60°C	-10°C +75°C
ED 100%	
DIN 46340 - 3 poles plug connector	
IP 67 (EN 60529) with plug connector	
12-24V (+10% -5%)	
24V/50-60Hz - 115V/50Hz - 230V/50-60Hz (+10% -15%)	
(Other voltages and frequencies on request).	

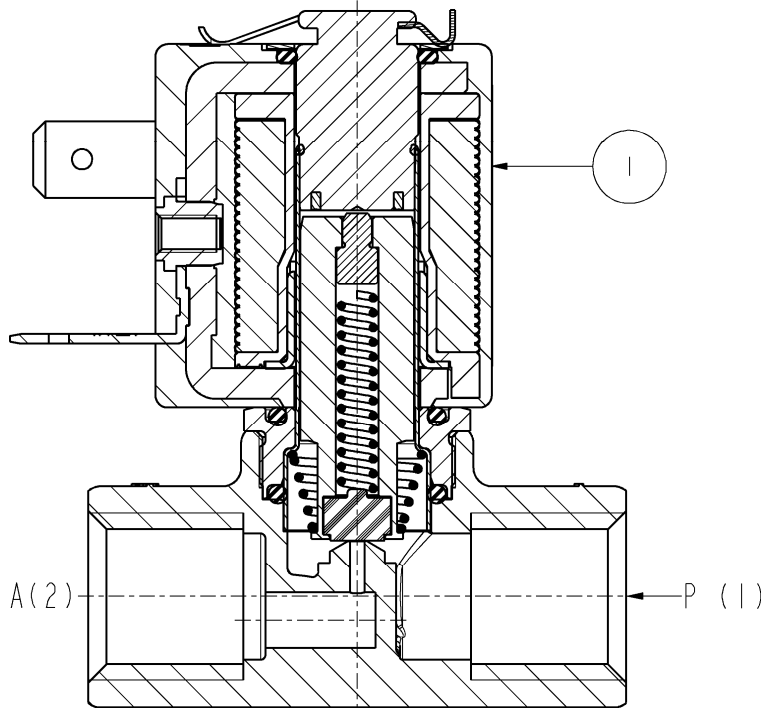
Port size NPT	Orifice size (mm)	Differential pressure (bar)				Kv (m <sup>3</sup> /h)	Series and type		Power absorption				Sealings	Notes	Weight (kg)	
		Δp min	Δp max				Valve	Coil	AC (VA)			DC				
			Gases		Liquids				Inrush	Holding						
			AC	DC	AC					DC	VA					VA
1/4	2,4	0	12	4	12	4	L176P08	ZB12A ZB14A	12	6	4	5,5	EPDM	1		
	2,7		7	1,5	7	1,5										

#### ► NOTES

- Sealings: EPDM = ethylene-propylene elastomer (NSF-WRASKTW-ACS approved)  
- ZB12 and ZB14 coils fitted with sealing gaskets underneath and on the upper part (see sectional view on the back)

# L176-NPT

## ► SPARE PARTS



### Kit description

Coil

### Kit P.N.

ZB12A  
ZB14A

### Consisting of:

Coil pos.1

## ► INSTALLATION

- Solenoid valve can be mounted in any position; vertical with coil upwards preferred.

THE VALIDITY OF REPORTED DATA IS REFERRED TO THE DATE OF ISSUE. POSSIBLE UPDATES ARE AVAILABLE ON REQUEST