



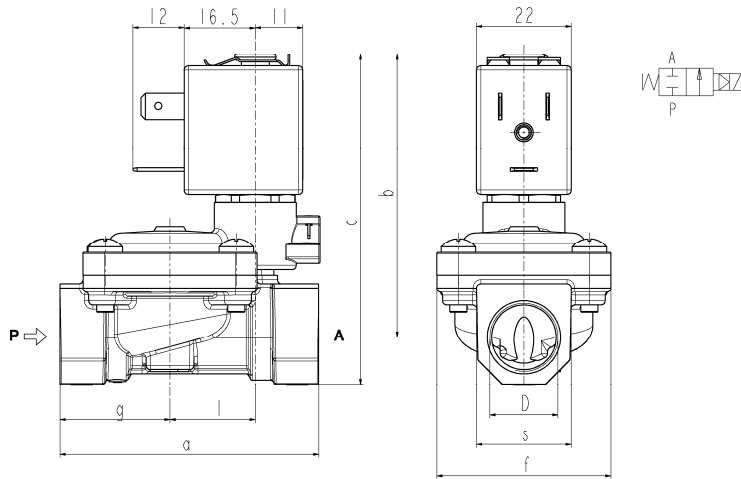
SOLENOID VALVE

2/2- NC (Normally closed)

Pilot operated

3/8 ÷ 1 NPT

L182-NPT



D	a	b	c	f	g	l	s
3/8 NPT	60	66	77	40	25,5	20	22
1/2 NPT	66	68	82	40	29	20	27
3/4 NPT	79	72,5	89	50	35,5	24,5	33
1 NPT	105	85	106	71	46	28	42

► GENERAL FEATURES

Diaphragm valve, pilot operated, having full orifice.
Suitable to shut off liquid and gaseous fluids (verify the compatibility of fluid with material in contact).

► TECHNICAL FEATURES

Maximum allowable pressure (PS) 20bar

Response times

Opening time (ms) 70

Closing time (ms) 670

Fluid temperature

Max viscosity

3/8	1/2	3/4	1
70	70	70	90
670	600	500	420

-10°C +90°C (NBR)
0°C +130°C (FPM)
-10°C +140°C (EPDM)
5°E (~37 cStokes or mm²/s)

► MATERIALS IN CONTACT WITH FLUID

Body Brass
Sealing NBR or FPM or EPDM
Internal components Brass and stainless steel
Seat Brass
Core tube Stainless steel
Shading coil Copper

► COIL

Approval

Encapsulation material

Insulation class

Ambient temperature

Continuous duty

Electric connection

Protection degree

Voltages DC
AC

ZB10A	ZB12A	ZB14A
/	UL and CSA	UL and CSA
PA	PET	PET
fiberglass reinforced	fiberglass reinforced	fiberglass reinforced
F (155°C) -10°C +60°C	F (155°C) -10°C +60°C	H (180°C) -10°C +75°C
ED 100%		
DIN 46340 - 3 poles plug connector		
IP 65 (EN 60529) with plug connector	IP 67 (EN 60529) with plug connector	IP 67 (EN 60529) with plug connector
12-24V (+10% -5%)		
24V/50-60Hz - 115V/50Hz - 230V/50-60Hz (+10% -15%)		
(Other voltages and frequencies on request)		

Port size NPT	Orifice size (mm)	Differential pressure (bar)				Kv (m ³ /h)	Series and type			Power absorption				Sealings	Notes	Weight (kg)		
		Δp min	Δp max				Valve	Valve with manual override	Coil	AC (VA)			DC					
			Gases		Liquids					Inrush VA	Holding VA	W					W	
			AC	DC	AC													DC
3/8	13,5	0,35	16	16	16	16	L182(*)03	L182(*)04	ZB10A ZB12A	12	6	4	5,5	(*) = B (NBR) (*) = V (FPM) (*) = D (EPDM)	1-3	0,32		
1/2			(12)	(12)	(12)	(12)										0,38		
3/4	18		12	12	12	12										0,52		
1	24		(10)	(10)	(10)	(10)										1,08		

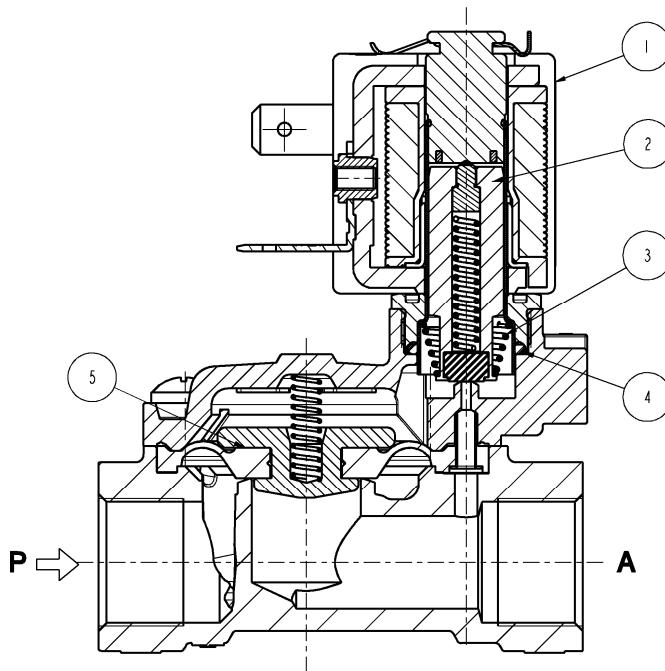
► NOTES

- Sealings: B(NBR)=Nitrile-butylene elastomer V(FPM)=Fluoro-carbon elastomer D(EPDM)=Ethylene-propylene elastomer (WRAS/KTW certified compound)
- Operation with gaseous media, at high pressure without any outlet restriction, can reduce the diaphragm life.
- On request coil in class H (ZB14A - see § "COIL")
- The bracketed values of Δp max are related to valves with V(FPM) seals.
- 1 - Low power consumption coil on request (3,5 VA in AC - 3W in DC): Δp max = 12 bar
- 2 - Low power consumption coil on request (3,5 VA in AC - 3W in DC): Δp max = 8 bar
- 3 - L182D03 - L182D04: WRAS certified solenoid valves (certificate n. 0904038).

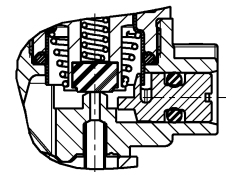
L182-NPT

► SPARE PARTS

L182 B-V-D03



L182 B-V-D04



Kit description

Kit P.N.

Consisting of:

Core kit	L182B-V			G3138201
	L182D			G3138202
Diaphragm assembly	L182B	3/8-1/2		2844302R
	L182V	3/8-1/2		2844303R
	L182D	3/8-1/2		2844306R
	L182B	3/4	1	2299701R
				2380101R
	L182V	3/4	1	2299702R
				2380102R
	L182D	3/4	1	2299708R
				2380106R
Coil				ZB10
				ZB12
				ZB14

Core kit pos.2
Core return spring pos. 3
O-Ring guide assembly pos. 4

Diaphragm assembly pos.5

Coil pos.1

► **INSTALLATION**

- Solenoid valve can be mounted in any position; vertical with coil upwards preferred.

THE VALIDITY OF REPORTED DATA IS REFERRED TO THE DATE OF ISSUE. POSSIBLE UPDATES ARE AVAILABLE ON REQUEST