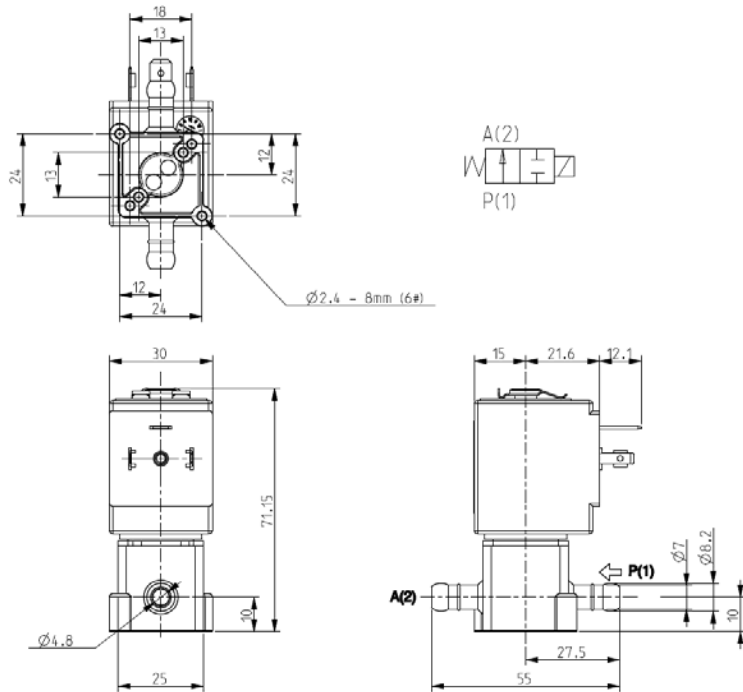




**SOLENOID VALVE**  
**2/2 - NO (Normally open)**  
 Direct acting  
 Barbed ports

**L257V06**



**► GENERAL FEATURES**

Direct acting solenoid valve, suitable for vacuum at port "P"  
 (PA – PP = max 1 bar).  
 Suitable to shut off liquid and gaseous fluids; suitable for low pressure steam and applications in sterilising autoclaves (verify the compatibility of fluid with materials in contact).

**► TECHNICAL FEATURES**

*Maximum allowable pressure (PS)* 10 bar  
*Opening time* ~20ms  
*Closing time* ~20ms  
*Fluid temperature* 0°C +130°C  
*Max viscosity* 5°E (~37 cStokes or mm<sup>2</sup>/s)

**► MATERIALS IN CONTACT WITH FLUID**

*Body* PPS  
*Sealing* FPM  
*Internal components* Stainless steel and PPS  
*Seat* PPS  
*Core tube* Stainless steel  
*Shading coil* Copper

**► COIL**

*Approval* UL (class F) – for UL cl.H: ZA34  
*Continuous duty* ED 100%  
*Encapsulation material* PPS (Polyphenylsulfure) fiberglass reinforced  
*Insulation class* F (155°C) on request class H (180°C)  
*Ambient temperature* -10°C +50 °C  
*Electric connections* DIN 46340 - 3 poles connectors (EN175301-803)  
*Protection degree* IP 67 (EN 60529) with plug connector  
*Voltages DC* 12-24V (+10% -5%)  
*AC* 24V/50Hz - 110V/50Hz (120V/60Hz) - 230V/50Hz (+10% -15%)  
 (Other voltages and frequencies on request)

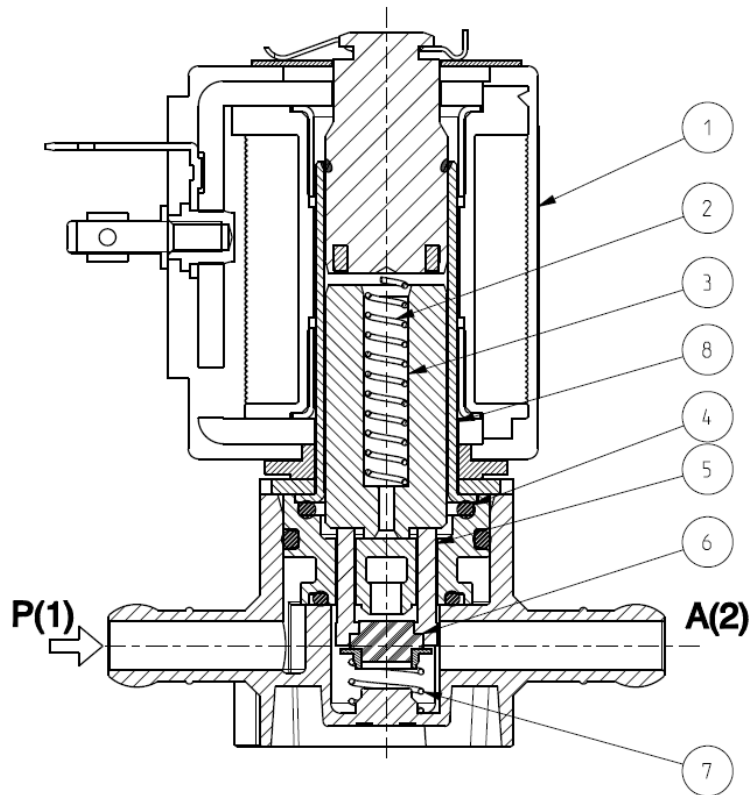
Port size	Orifice size (mm)	Differential pressure (bar)				Kv (m <sup>3</sup> /h)	Series and type		Power absorption			Sealings	Notes	Weight (kg)
		Δp min	Δp max		Valve		Coil	AC (VA)		DC (W)				
			Gases	Liquids				Inrush	Holding					
			AC	DC	AC	DC								
Barbed ports	2,5	0	5	5	5	5	L257V06	ZA10A	23	14	9	FPM	1 - 2	0,210
	3		3	3	3									

**► NOTES**

- Sealings : FPM = Fluoro-carbon elastomer
- IMQ CSV approval, see ZA10 datasheet for further details
- UL approved coil (E153691)
- 1 - The pressure values shown in the table refer to the potential of the valve: they can be lower depending on the connection system used
- 2 - Only for use with steam, consider following values: PSmax 2,8 bar (max fluid temperature 130°C)

# L257v06

## ► SPARE PARTS



Kit description	Kit P.N.	Consisting of:
Core kit	G3138301	Core return spring pos. 2 Core pos. 3 O-Ring guide assembly pos.4 Pusher pos. 5 Sealing disc return spring pos. 7 Sealing disc pos. 6
Core return spring kit	G290513-001	N°.10 Core return spring pos. 2
O-Ring guide assembly kit	GU2428000015	N°. 10 OR guide assembly pos.4
Guide assembly kit	G31488	Guide assembly pos.8 Coil clip
Coil	ZA10A	Coil pos.1

## ► INSTALLATION

- Solenoid valve can be mounted in any position; vertical with coil upwards preferred.
- In case of disassembling for usual maintenance, the fixing screws of the guide assembly have to be tightened with  $0,6 \pm 0,7$  Nm torque.

THE VALIDITY OF REPORTED DATA IS REFERRED TO THE DATE OF ISSUE. POSSIBLE UPDATES ARE AVAILABLE ON REQUEST.