



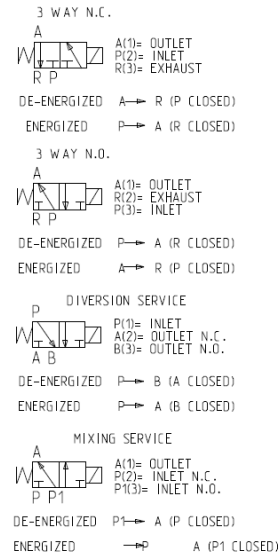
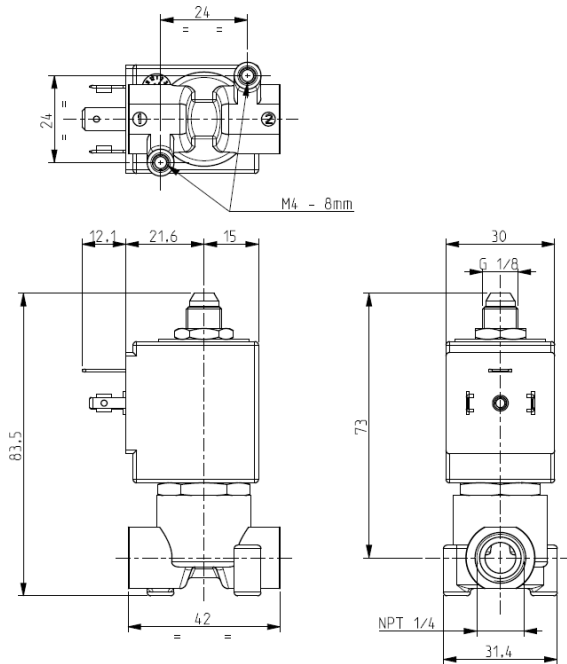
# SOLENOID VALVE

## 3/2 - NC - NO - U (Universal service)

### Direct acting

### 1/4 NPT

# L321-NPT



#### ► GENERAL FEATURES

Direct acting solenoid valve.  
 Suitable to shut off liquid and gaseous fluids (verify the compatibility of fluid with materials in contact).

#### ► TECHNICAL FEATURES

Maximum allowable pressure (PS)	40 bar
Opening time	~20ms
Closing time	~20ms
Fluid temperature	-10°C +90°C (NBR) 0°C +130°C (FPM)
Max viscosity	5°E (~37 cStokes or mm <sup>2</sup> /s)

#### ► MATERIALS IN CONTACT WITH FLUID

Body	Brass
Sealing	NBR or FPM
Internal components	Stainless steel
Seat	Brass
Guide assembly	Stainless steel
Shading ring	Copper

#### ► COIL

Continuous duty	ED 100%
Encapsulation material	PPS (Polyphenilsulfure) fiberglass reinforced
Coil insulation class	F (155°C) on request class H (180°C) – UL (see ZA34)
Ambient temperature	-10°C +50°C
Electric connections	DIN 46340 - 3 poles connectors (EN 175301-803)
Protection degree	IP 67 (EN 60529) with plug connector
Voltages	DC ZA10G: 12-24V (+10% -5%) AC ZA10A: 24V/50Hz - 110V/50Hz (120V/60Hz) - 230V/50Hz (+10% -15%)
	(Other voltages and frequencies on request)

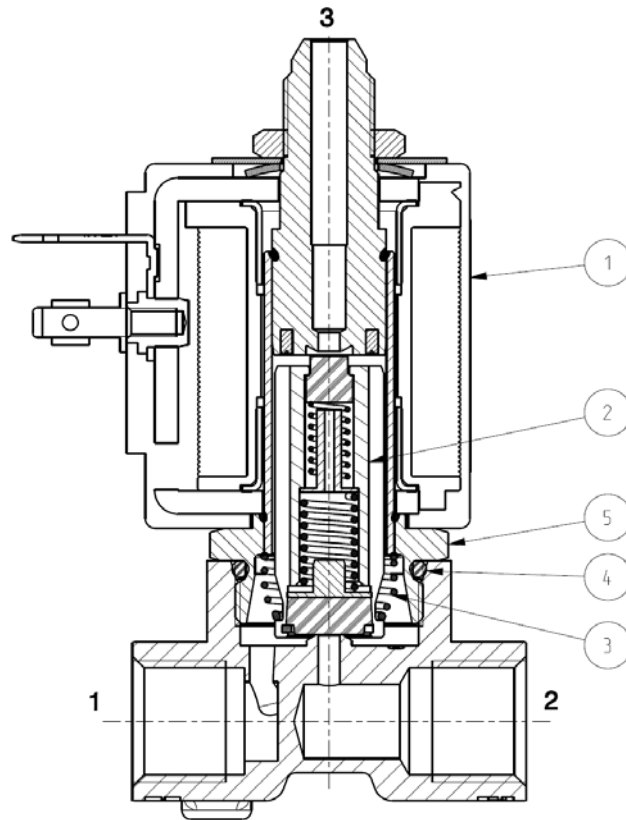
Port size NPT	Orifice size (mm)	Δp min	Differential pressure (bar)				Kv (m <sup>3</sup> /h)	Series and type		Power absorption			Sealings	Function Notes	Weight (kg)
			Δp max					Valve	Coil	AC (VA)		DC (W)			
			Gases		Liquids					Inrush	Holding				
AC	DC	AC	DC												
1/4	2,3	0	8	-	8	-	0,14	L321B03C	ZA10A	23	14	-	NBR	NC	0,370
			-	8	-	8			ZA10G	-	-	12		NC	
			8	-	8	-		L321V03C	ZA10A	23	14	-	FPM	NC	
			-	8	-	8			ZA10G	-	-	12		NC	
			8	-	8	-		L321B03A	ZA10A	23	14	-	NBR	NO	
			-	8	-	8			ZA10G	-	-	12		NO	
			5	-	5	-		L321V03G	ZA10A	23	14	-	FPM	U	
			-	5	-	5			ZA10G	-	-	12		U	

#### ► NOTES

- Sealings : NBR = Nitrile-butylene elastomer FPM = Fluoro-carbon elastomer
- NC: Normally closed NO: Normally open U: Universal service
- IMQ CSV approval, see ZA10 datasheet for further details

# L321-NPT

## ► SPARE PARTS



### Kit description

Core kit

L321B03C  
L321V03C  
L321B03A  
L321V03G

### Kit P.N.

G3065902  
G3065901  
G3064902  
G3065101

### Consisting of:

Core pos. 2  
Core return spring pos. 3  
O-Ring guide assembly pos. 4

Core return spring kit

L321B-V03C  
L321B03A  
L321V03G

G3065701  
G3063601  
G3022401

N.10 core return spring pos. 3

O-Ring guide assembly kit

L321B...  
L321V...

GU2421000017  
GU2424000017

N.10 O-Ring guide assembly pos. 5

Guide pipe assembly

3027601

Guide pipe assembly pos. 5

Coil

ZA10A  
ZA10G

Coil pos. 1

## ► MOUNTING

Solenoid valve can be mounted in any position; vertical with coil upwards preferred.