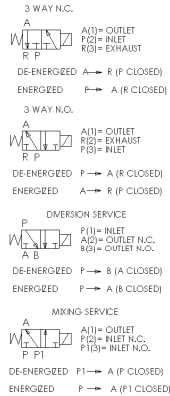
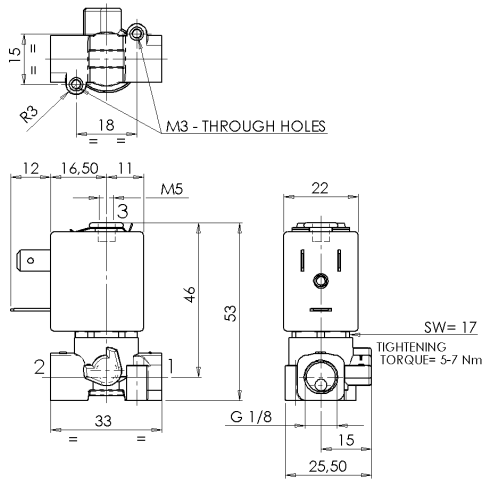




**SOLENOID VALVE**  
**3/2- NC - NO - US (Universal service)**  
 Direct acting  
**G 1/8**

**L372**  
 STAINLESS STEEL

**NON STANDARD**



► **GENERAL FEATURES**

Direct acting solenoid valve.  
 Suitable to shut off liquid and gaseous fluids (verify the compatibility of fluid with material in contact)

► **TECHNICAL FEATURES**

Maximum allowable pressure (PS) 50bar  
 Opening time ~10ms  
 Closing time ~10ms  
 Fluid temperature 0°C +130°C  
 Max viscosity 5°E (~37 cStokes or mm<sup>2</sup>/s)

► **MATERIALS IN CONTACT WITH FLUID**

Body Stainless steel AISI 316L  
 Sealing FPM  
 Internal components Stainless steel  
 Seat Stainless steel AISI 316L  
 Core tube Stainless steel  
 Shading coil Copper

► **COIL**

Approval  
 Encapsulation material  
 Insulation class  
 Ambient temperature  
 Continuous duty  
 Electric connection  
 Protection degree  
 Voltages DC  
 AC

ZB12A	ZB14A
UL and CSA	UL and CSA
PET (polyethylene-terephthalate) fiberglass reinforced	PET (polyethylene-terephthalate) fiberglass reinforced
F (155°C) -10°C +60°C	H (180°C) -10°C +75°C
ED 100%	
DIN 46340 - 3 poles plug connector	
IP 67 (EN 60529) with plug connector	
12-24V (+10% -5%)	
24V/50-60Hz - 115V/50Hz - 230V/50-60Hz (+10% -15%)	
(Other voltages and frequencies on request).	

Port size ISO 228	Orifice size (mm)		Differential pressure (bar)				Kv (m <sup>3</sup> /h)		Series and type		Power absorption				Sealings	Notes	Weight (kg)	
			Δp min	Δp max		1↔2	1↔3	AC (VA)			DC							
				Gases	Liquids			Inrush				Holding	VA	W				
1↔2	1↔3	c.a.	c.c.	c.a.	c.c.	1↔2	1↔3	Valve	Coil	VA	VA	W	W					
<b>NC - Normally closed</b>																		
G 1/8	1,2	1,2	0	15	15	15	15	0,05	0,05	L372V07C	ZB12A	12	6	4	5,5	FPM	1	0,140
	1,6	1,2		10	10	10	10	0,08	0,05									
	2	1,2		5	5	5	5	0,1	0,05									
	2,4	1,2		4	4	4	4	0,13	0,05									
<b>NO - Normally open</b>																		
G 1/8	1,6	1,2	0	8,5	8,5	8,5	8,5	0,08	0,05	L372V07A	ZB12A	12	6	4	5,5	FPM	1	0,140
<b>US -Universal service</b>																		
G 1/8	1,2	1,2	0	7	7	7	7	0,05	0,05	L372V07G	ZB12A	12	6	4	5,5	FPM	1	0,140
	1,6	1,2		4,5	4,5	4,5	4,5	0,08	0,05									
	2	1,2		3	3	3	3	0,1	0,05									
	2,4	1,2		2	2	2	2	0,13	0,05									

► **NOTES**

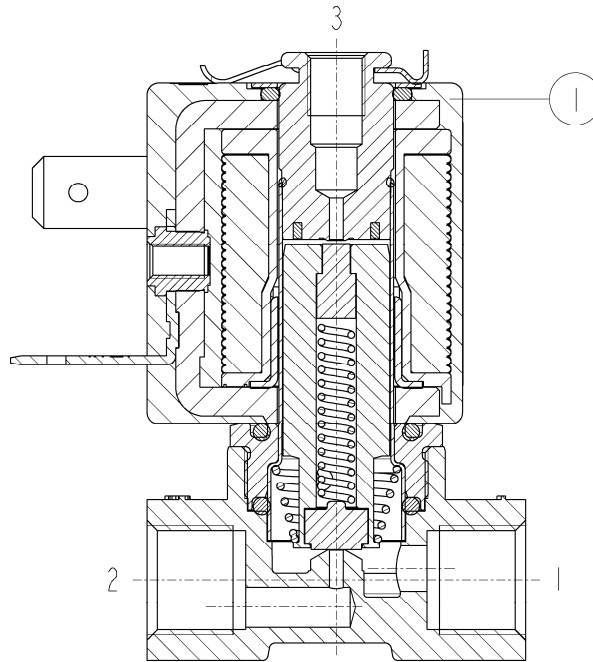
- Sealings: FPM = Fluoro-carbon elastomer
- On request: - version with manual override: L372V05
  - sealings in EPDM (Ethylene-propylene elastomer): L372D07 – L372D05 (with manual override)
  - coil in class H (ZB14A – see § "COIL")
  - grease/oil free versions
- 1 – ZB12 and ZB14 coils fitted with sealing gaskets underneath and on the upper part (see sectional view on the back)

# L372

NON STANDARD

STAINLESS STEEL

► SPARE PARTS



Kit description

Kit P.N.

Consisting of:

Coil

ZB12A  
ZB14A

Coil pos.1

► INSTALLATION

- Solenoid valve can be mounted in any position; vertical with coil upwards preferred.

THE VALIDITY OF REPORTED DATA IS REFERRED TO THE DATE OF ISSUE. POSSIBLE UPDATES ARE AVAILABLE ON REQUEST