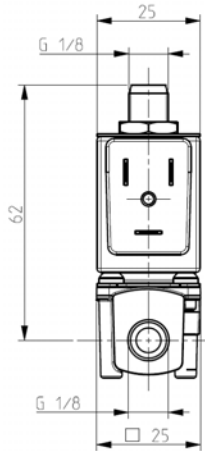
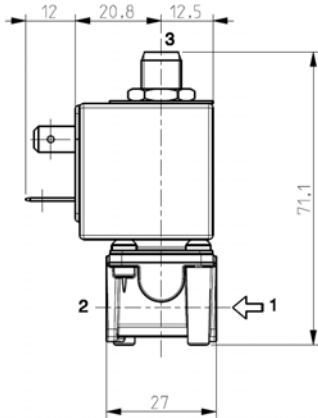
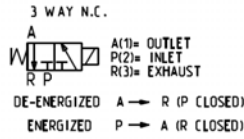
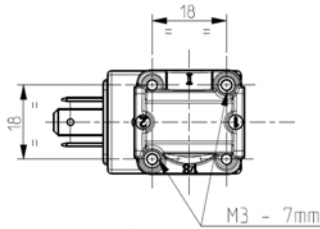




SOLENOID VALVE
3/2- NC (Normally closed)
Direct acting
G 1/8

L377V05C



► **GENERAL FEATURES**

Direct acting solenoid valve, small body size,
 Suitable for pneumatic and hydraulic circuits and to operate
 single-acting cylinders.
 Suitable to shut off liquid and gaseous fluids (verify the compatibility
 of fluid with material in contact)

► **TECHNICAL FEATURES**

Maximum allowable pressure (PS) 30 bar
 Opening time ~ 15 ms.
 Closing time ~ 15 ms.
 Fluid temperature 0°C +130°C
 Max viscosity 5°E (~37 cStokes or mm²/s)

► **MATERIALS IN CONTACT WITH FLUID**

Body Brass
 Sealing FPM
 Internal components Stainless steel
 Seat Brass or Stainless steel
 Guide assembly Stainless steel
 Shading coil Copper

► **COIL**

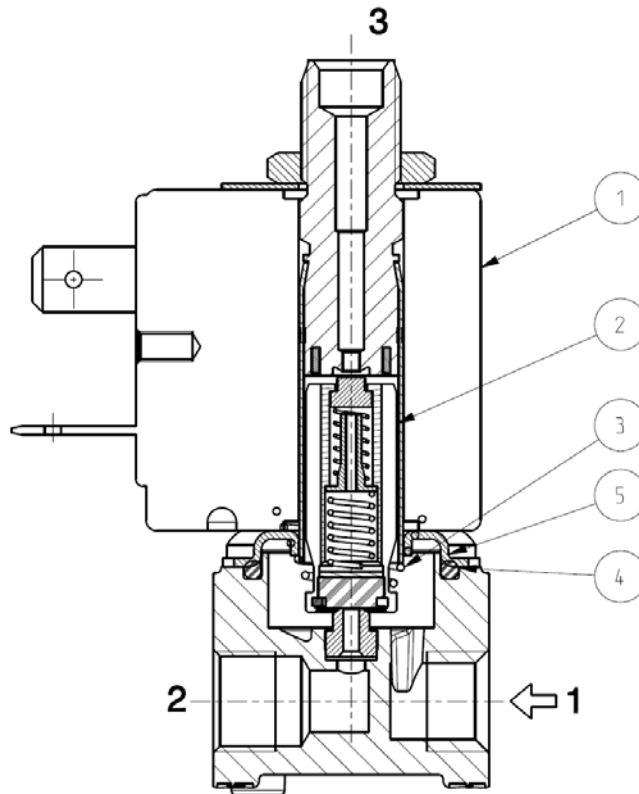
Continuous duty ED 100%
 Encapsulation material PET (polyethylene terephthalate) fiberglass reinforced
 Coil insulation class F (155°C)
 Ambient temperature -10°C +60°C
 Electric connection DIN 46340 - 3 poles connectors
 Protection degree IP 65 (EN 60529)
 Voltages DC 12-24V (+10% -5%)
 AC 24V/50-60Hz - 110V/50-60Hz (120V/60Hz) -
 230V/50-60Hz (+10% -15%)
 (Other voltages and frequencies on request)

Port size ISO 228	Orifice size (mm)	Differential pressure (bar)				Kv (m ³ /h)	Series and type		Power absorption			Sealings	Notes	Weight (kg)
		Δp min	Δp max		Valve		Coil	AC (VA)		DC (W)				
			Gases c.a.	Liquids c.c.				Inrush	Holding					
G 1/8	1,6	0	10	10	8	8	L377V05C	Z610A	16	10	6	FPM	1-2	0,170
	2,3		3	3	3	3								

► **NOTES**

- Sealings: FPM = Fluoro carbon elastomer
- In case of disassembling of the coil, the fixing bolt has to be tightened at 3 Nm max. torque
- 1 - Upper exhaust (3) with seat diameter 1,6 mm.
- 2 - Solenoid valve with stainless steel seat

► SPARE PARTS



Kit description		Kit P.N.	Consisting of:						
Core kit	<table border="1"> <tr> <td>Ø1,6</td> <td>G2934702</td> </tr> <tr> <td>Ø2,3</td> <td>G2934902</td> </tr> </table>	Ø1,6	G2934702	Ø2,3	G2934902		<table border="1"> <tr> <td>Core pos.2</td> </tr> <tr> <td>O-Ring guide assembly pos.4</td> </tr> </table>	Core pos.2	O-Ring guide assembly pos.4
Ø1,6	G2934702								
Ø2,3	G2934902								
Core pos.2									
O-Ring guide assembly pos.4									
Core return spring kit	<table border="1"> <tr> <td>Ø1,6</td> <td>G2926801</td> </tr> <tr> <td>Ø2,3</td> <td>G2927101</td> </tr> </table>	Ø1,6	G2926801	Ø2,3	G2927101		N.10 core return spring pos.3		
Ø1,6	G2926801								
Ø2,3	G2927101								
O-Ring guide assembly kit		GU2424000017	N.10 O-Ring guide assembly kit pos.4						
Guide assembly		2973101R	Guide assembly pos.5						
Coil		Z610A	Coil pos.1						

► MOUNTING

- Solenoid valve can be mounted in any position; vertical with coil upwards preferred.