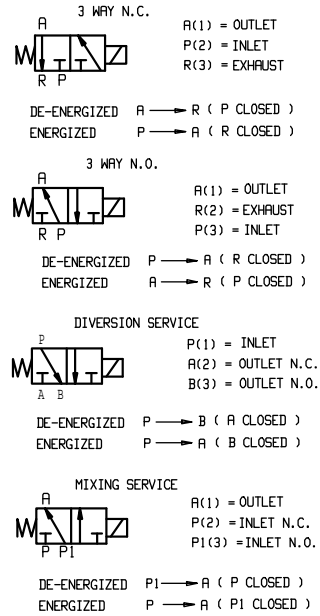
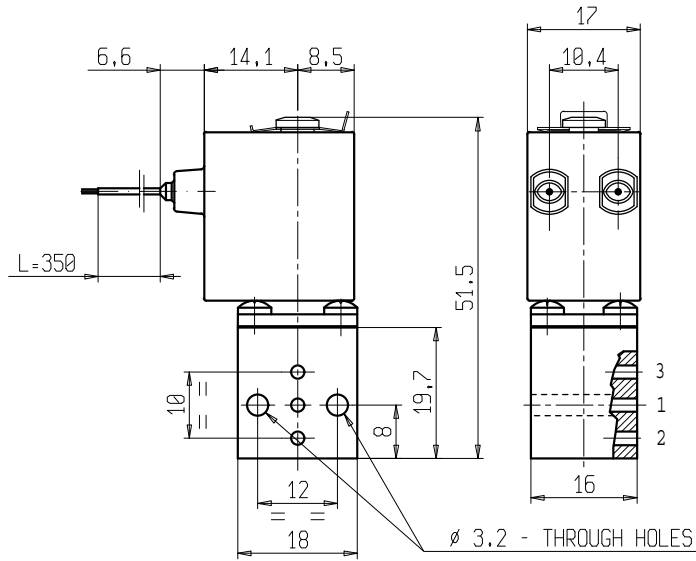




MICRO SOLENOID VALVE
3/2 - US (Universal service)
 Direct acting
 Sub-base mounting

V367V01G



► **GENERAL FEATURES**

Direct acting micro solenoid valve suitable for mounting on a sub-base or directly on the equipment.
 Minimum overall dimensions, quick response time and high number of cycles.
 Seal gasket for coupling supplied with the valve.
 Suitable to shut off liquid and gaseous fluids (verify the compatibility of fluid with materials in contact).

► **TECHNICAL FEATURES**

Maximum allowable pressure (PS) 16 bar
 Opening time from ~ 5ms to ~ 10ms
 Closing time from ~ 5ms to ~ 10ms
 Fluid temperature 0°C +90°C
 Max viscosity 3°E (22 cStokes or mm²/s)

► **MATERIALS IN CONTACT WITH FLUID**

Body Brass
 Sealing FPM
 Internal components Brass, PEI (Polyetherimide) and stainless steel
 Seat Brass
 Core tube Brass

► **COIL**

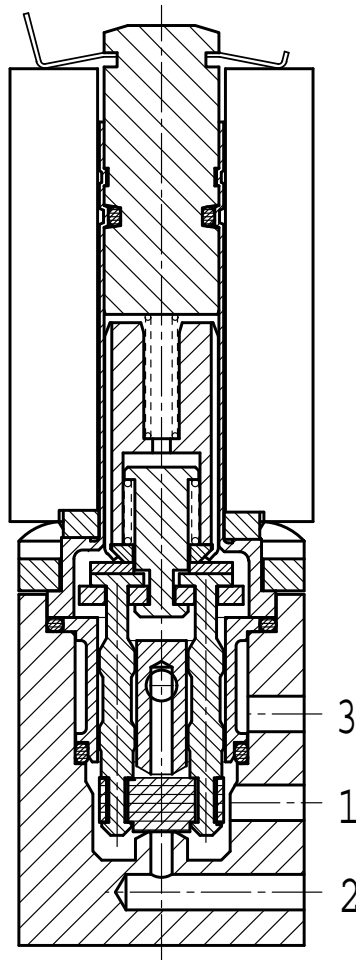
Continuous duty ED 100%
 Encapsulation material PA (Polyamide) fiberglass reinforced
 Insulation class F (155°C)
 Ambient temperature -10°C +60°C
 Electric connections N° 2 wires AWG 24 length 350 mm.
 Protection degree IP 66 (DIN 60529)
 Voltages 12-24V (+10% -5%)
 (Other voltages on request)

Port size	Orifice size (mm)	Differential pressure (bar)						Kv (m ³ /h)	Series and type		Power absorption			Sealings	Notes	Weight (kg)
		Δp min	Δp max				Valve		Coil	AC (VA)		DC (W)				
			Gases		Liquids					Inrush	Holding					
			AC	DC	AC	DC										
-	2	0	-	1	-	1	0,08	V367V01G	Z036C	-	-	2,5	FPM	1	0,090	

► **NOTES**

- These micro-solenoid valves are not suitable for stagnating media subject to vaporization which deposit solid, calcareous, incrusting residues or similar.
 - Sealings: FPM = Fluoro-carbon elastomer.
 1- AC version available on request.

► SECTIONAL VIEW



► INSTALLATION

- Solenoid valve can be mounted in any position; vertical with coil upwards preferred.