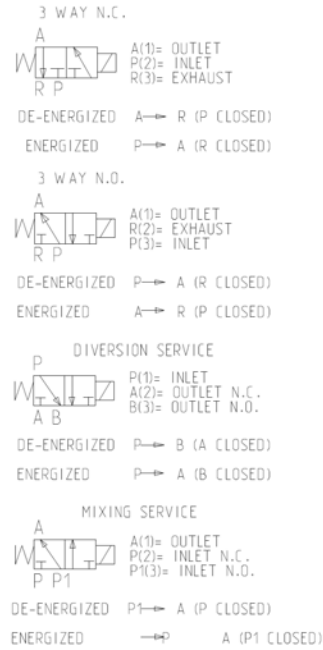
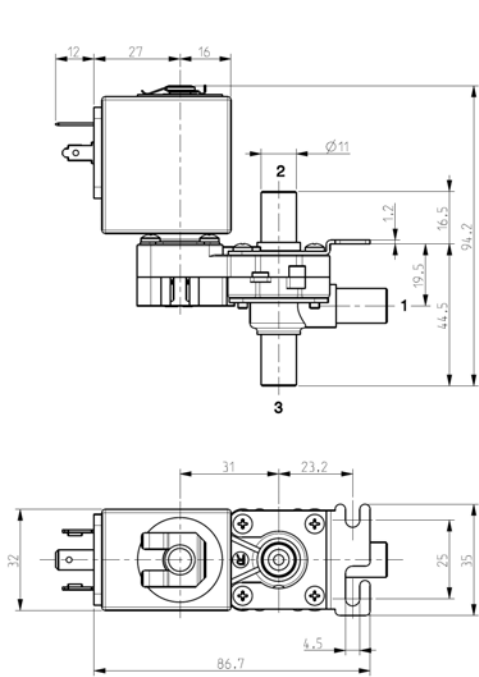




**SOLENOID VALVE - DRY**  
**3/2 - NC (Normally closed)**  
 Direct acting - Total isolation  
**Barbed port**

**D344S59**  
 SILENT MODEL



► **GENERAL FEATURES**

Direct acting, total isolation solenoid valve: the actuator is totally isolated from the fluid so that the wetted parts are just the body and the lever-seal.

Silent model. Possibility of disassembling for inspection.

Core duly coated by PTFE(polytetrafluoroethylene) based self lubricating material.

Suitable to shut off liquid and gaseous fluids (verify the compatibility of fluid with materials in contact).

► **TECHNICAL FEATURES**

Maximum allowable pressure (PS)	12 bar
Opening time	~ 50ms
Closing time	~ 25ms
Fluid temperature	-10°C +100°C
Max viscosity	5°E (~37 cStokes or mm <sup>2</sup> /s)

► **MATERIALS IN CONTACT WITH FLUID**

Body	PEI (Polyetherimide)
Sealing	VMQ

► **COIL**

Continuous duty	ED 100%
Encapsulation material	PET (polyethylene terephthalate) fiberglass reinforced
Insulation class	F (140°C)
Ambient temperature	-10°C +60°C
Electric connections	DIN 46340 - 3 poles connector (EN175301-803)
Protection degree	IP 65 (EN 60529) with plug connector
Voltages DC	12-24V (+10% -5%) (Other voltages on request)

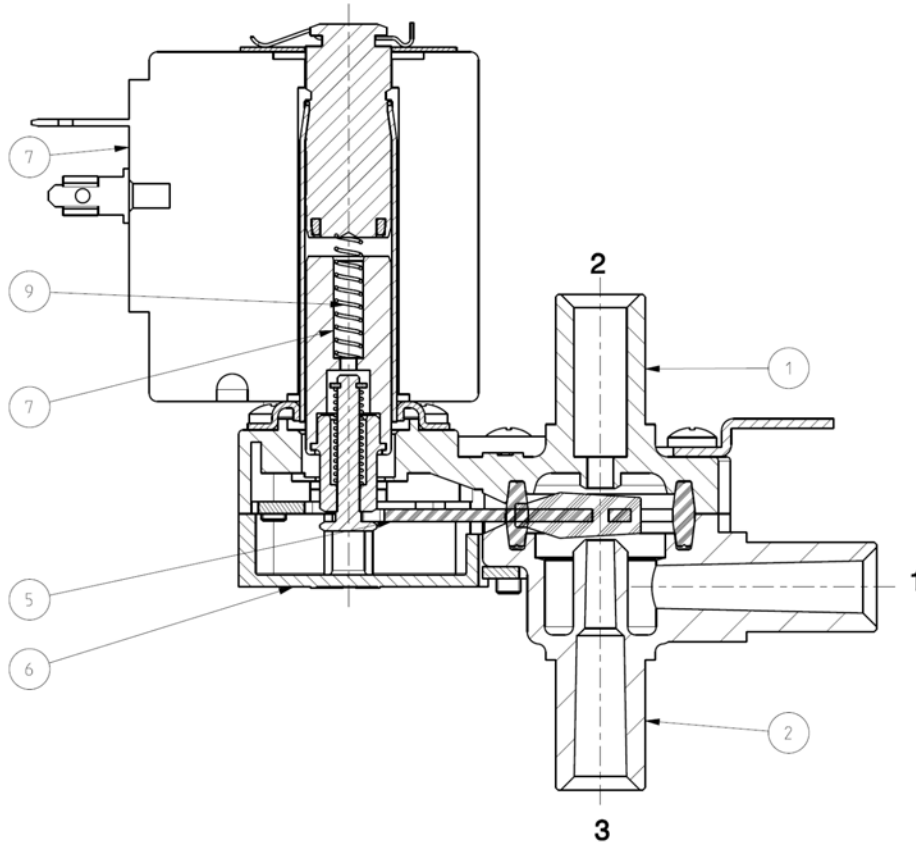
Port size	Orifice size (mm)	Differential pressure (bar)				Kv (m <sup>3</sup> /h)	Series and type		Power absorption			Sealings	Notes	Weight (kg)	
		Δp min	Δp max				Valve	Coil	AC (VA)		DC (W)				
			Gases		Liquids				Inrush	Holding					
AC	DC	AC	DC	Valve	Coil	Inrush	Holding	DC (W)	Sealings	Notes	Weight (kg)				
Barbed port	3,2	0	-	1,5	-	1,5	0,28	D344S59	Z530A	-	-	9	VMQ	-	0,315

► **NOTES**

- Sealings : VMQ = Silicone elastomer

# D344S59

## ► SPARE PARTS



Kit description	Kit P.N.	Consisting of:
Body kit	G2846702	Upper body pos.1 Lower body pos.2
Core Kit	G3043101	Core return spring pos.6 Core pos.7
Lever seal kit	2977704R	Lever seal pos.3
Cover	3119801R	Cover pos. 4
Coil	Z530A	Coil pos. 5

## ► MOUNTING

- In case of disassembling for usual maintenance, the fixing screws have to be tightened at 0,6 Nm max torque.
- Solenoid valve can be mounted in any position.

THE VALIDITY OF REPORTED DATA IS REFERRED TO THE DATE OF ISSUE. POSSIBLE UPDATES ARE AVAILABLE ON REQUEST.